

# Strainer PN 16, Y-type with screwed ends plug



**Materials:** Body: cast iron JL 1040, Screen: stainless steel 1.4301, Gasket: graphit reinforced

**Connection:** screwed ends DIN 259

**Test pressure:** 24 bar

**Specials:** Valves made of cast iron are not authorized for use in systems subject TRD110.

DN	L	A	Mesh-width*	Weight (kg)	Article No.**
3/8"	85	55	0,5	0,60	96501638
1/2"	85	55	0,5	0,60	96501612
3/4"	100	68	0,5	0,90	96501634
1"	120	73	0,75	1,40	96501644
1 1/4"	140	83	0,75	2,00	96501654
1 1/2"	160	97	0,75	3,00	96501664
2"	190	110	0,75	5,00	96501684

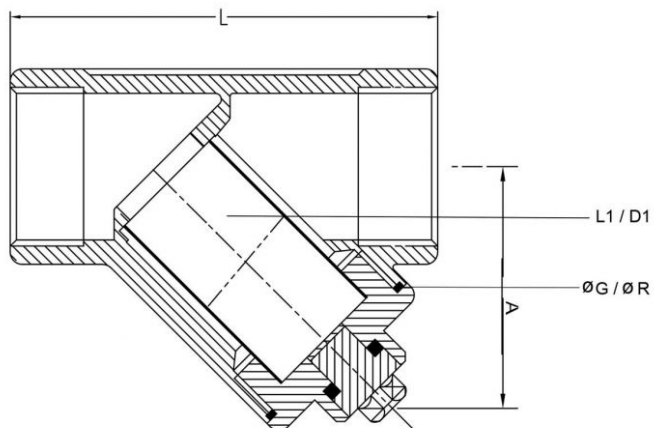
\* Fine screens at all nominal diameters mesh width 0,25 mm, free area 37%

\*\* When ordering with fine screen: Article-Nr. + addition "with F-SIEB"

DN	L1	D1	Fo	KVS1	KVS2	Zet1	Zet2	ø G	ø R	P	D	B
3/8"	48,5	18	39 %	2,70	2,40	3,21	4,07	32	27	2,00	R 3/4"	90
1/2"	48,5	18	39 %	5,60	5,50	1,82	1,89	32	27	2,00	R 3/4"	90
3/4"	61,5	25	39 %	10,70	10,30	1,37	1,48	39	33	2,00	R 1"	110
1"	66,5	31	38 %	17,00	16,30	2,16	2,35	49	42	2,00	R 1 1/4"	122
1 1/4"	81,5	38	38 %	28,00	26,60	1,54	1,71	55	48	2,00	R 1 1/2"	142
1 1/2"	95,5	47	38 %	45,00	41,80	1,48	1,72	68	60	2,00	R 2"	165
2"	112,5	57	38 %	69,00	63,70	1,44	1,69	74	66	2,00	R 2 1/4"	190

The delivery of the strainer is in accordance to PED 2014/68/EU Point 11 and 12 of the preamble and article 1, clause c as well as article 4, clause 3.  
The picture shown is only a symbolic photo! Subject to technical changes and errors.

## Key for our datasheets



DN	Nominal diameter
L	Face to face dimension (mm)
A	Centre line of pipe to end of cover (mm)
L1	Screen length (mm)
D1	Screen diameter (mm)
Fo	Free screen area standard element (mm)
KVS1	KVS-Value standardscreen (m <sup>3</sup> /h)
KVS2	KVS-Value fine screen (m <sup>3</sup> /h)
Zet1	Zeta-Value standardscreen
Zet2	Zeta-Value fine screen
ø G	Outer-diameter coverflange gasket (mm)
ø R	Inner-diameter coverflange gasket (mm)
P	Thickness coverflange gasket (mm)
D	Coverflange size
B	Distance required to remove screen (mm)